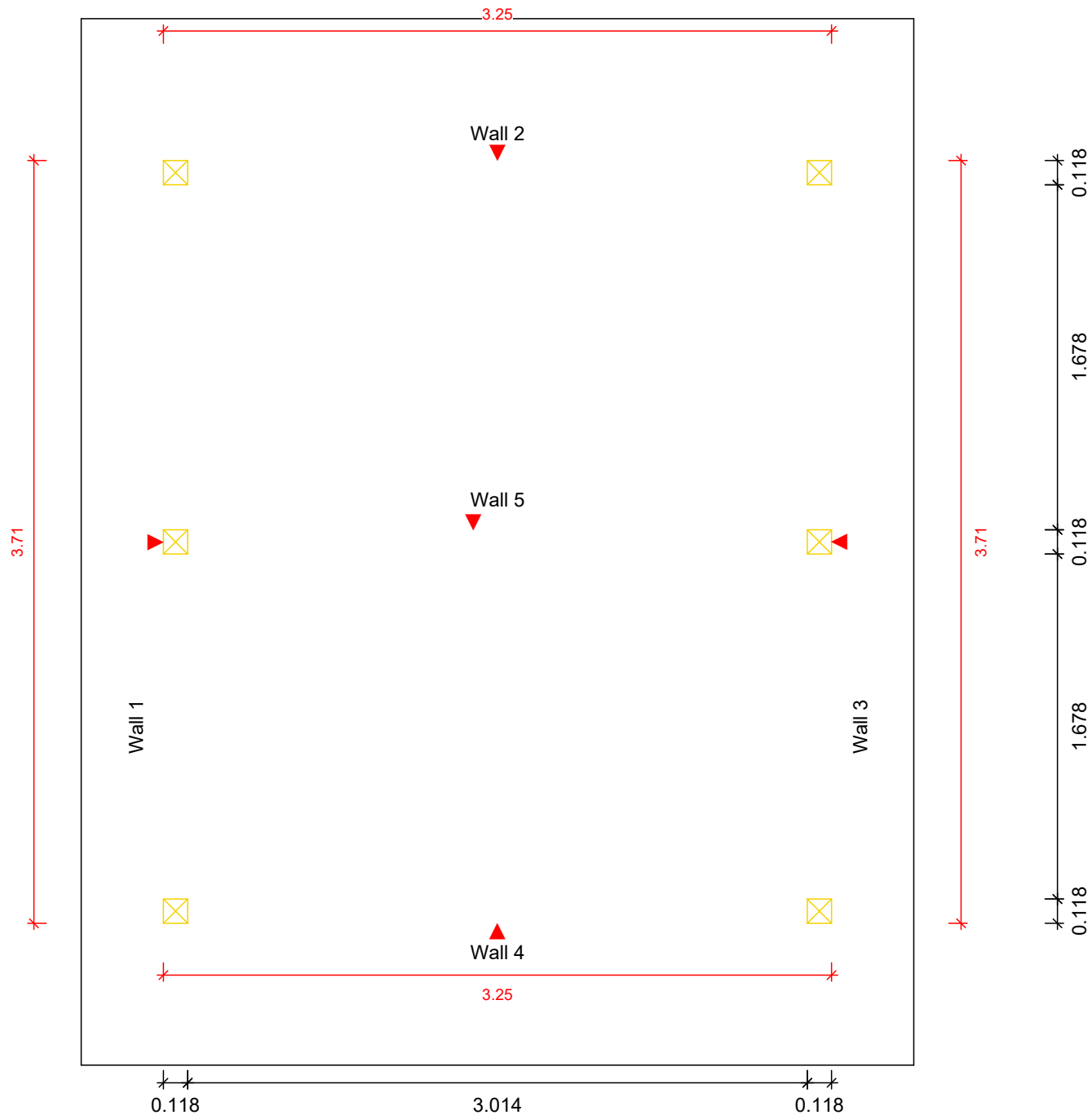


Roof layout drawing:	Slice -1
Total area:	20.614 m ²
Scale:	1 : 32

RS= Roof side	
RP= Angle of roof pitch	

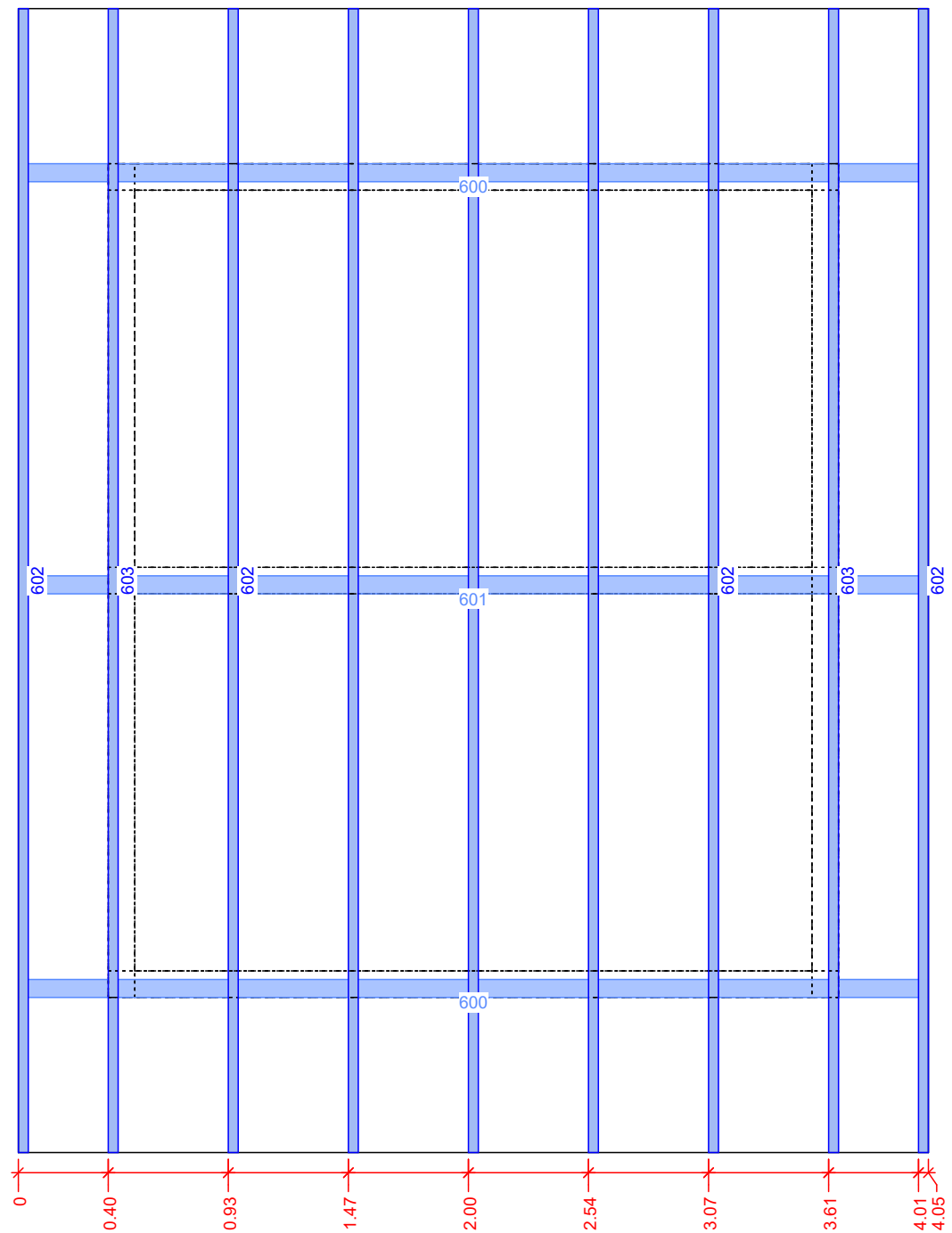
Project nr: VS00_0069
 Date: 16.07.2024

GF 0
Section height: 0.000
Scale: 1 : 30

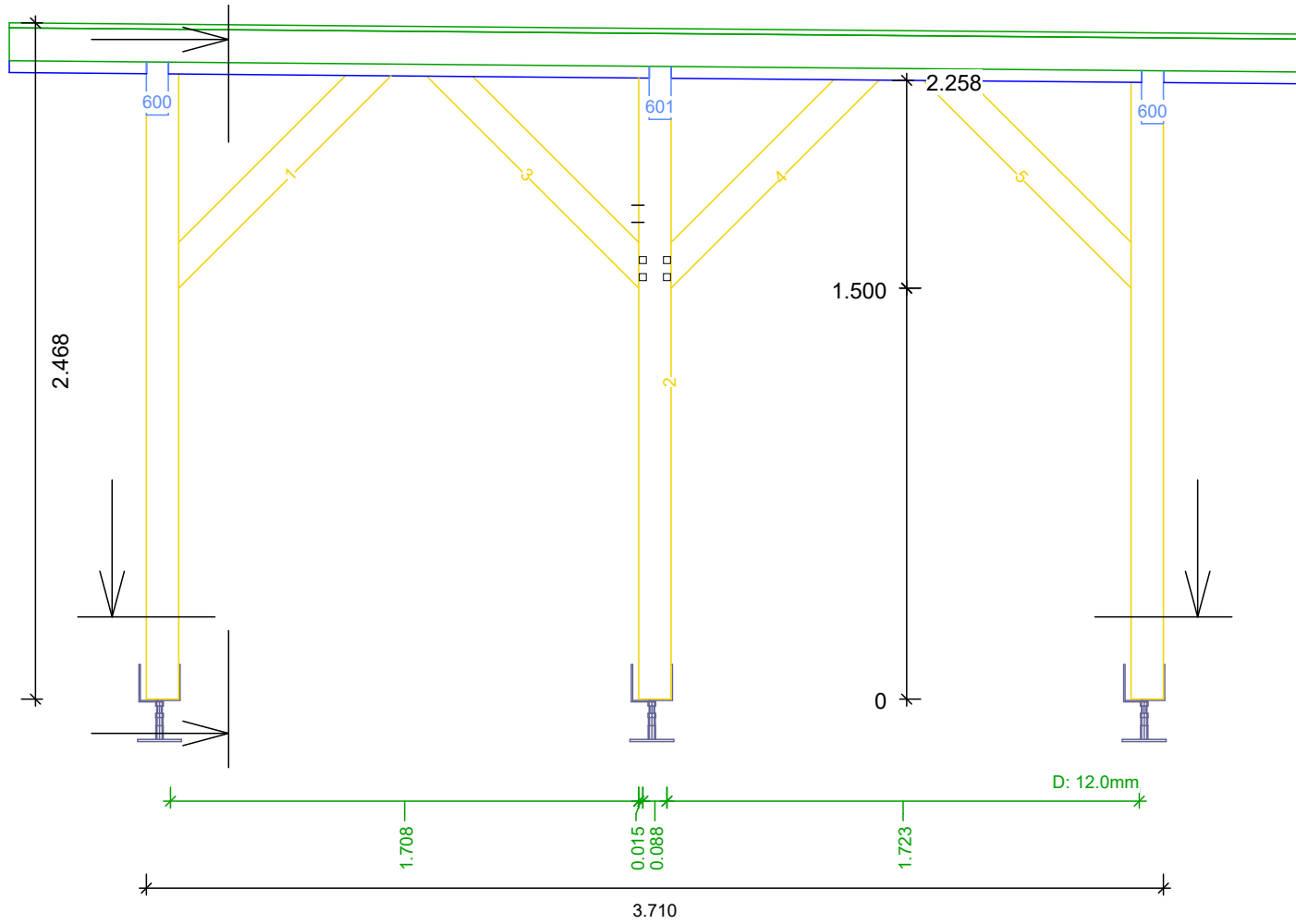


Project nr: VS00_0069
Date: 16.07.2024

Sorting number	
Scale:	1 : 30



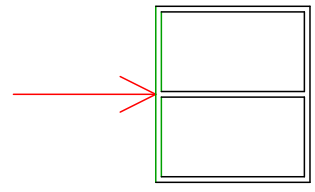
Project nr: VS00_0069
Date: 16.07.2024



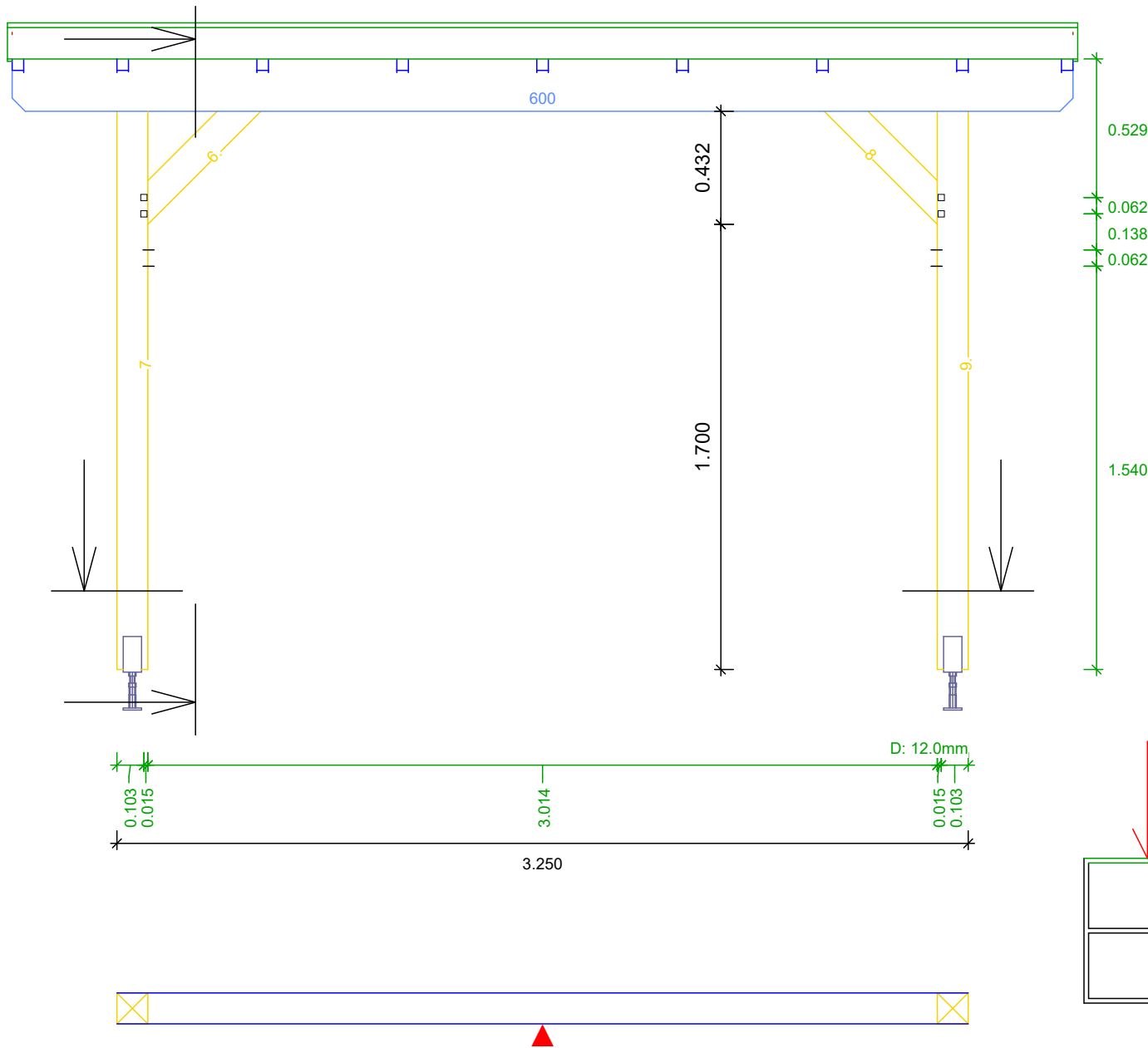
GF 0 Wall 1	
Group :	0
Sorting number	
Scale:	1 : 25.5



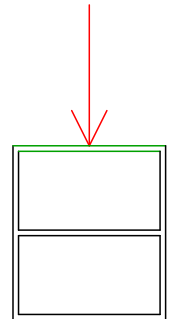
0.533
0.062
0.138
0.062
1.540



Project nr: VS00_0069
Date: 16.07.2024

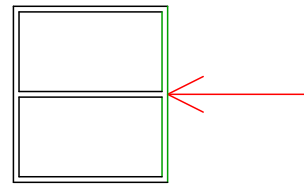
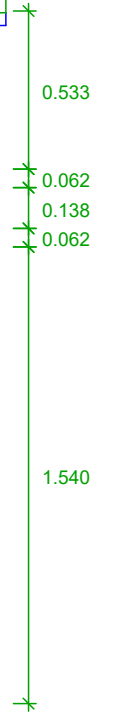
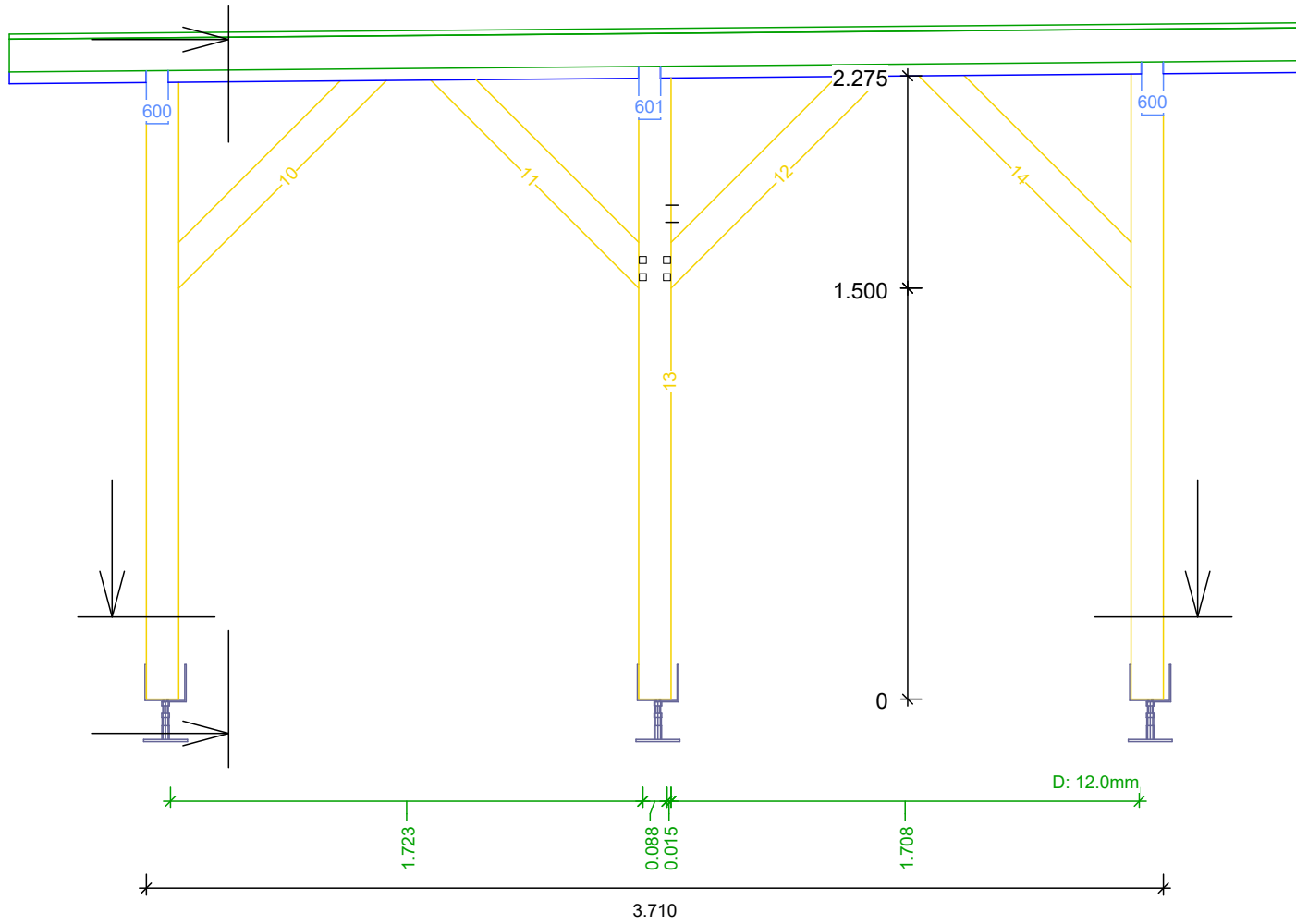


GF 0 Wall 2	
Group :	0
Sorting number	
Scale:	1 : 24

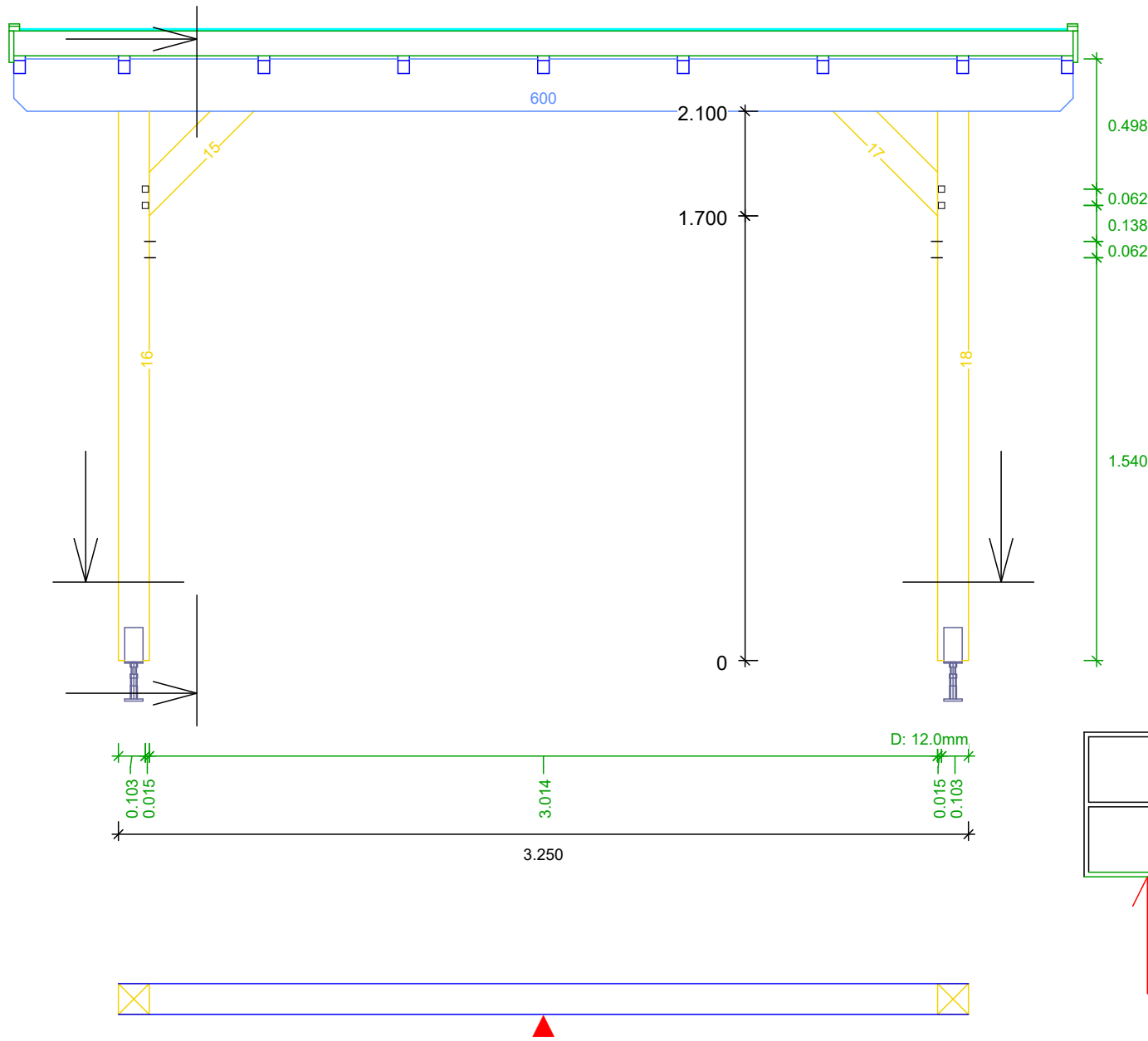


Project nr: VS00_0069
 Date: 16.07.2024

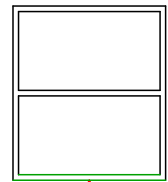
GF 0 Wall 3	
Group :	0
Sorting number	
Scale:	1 : 25.5



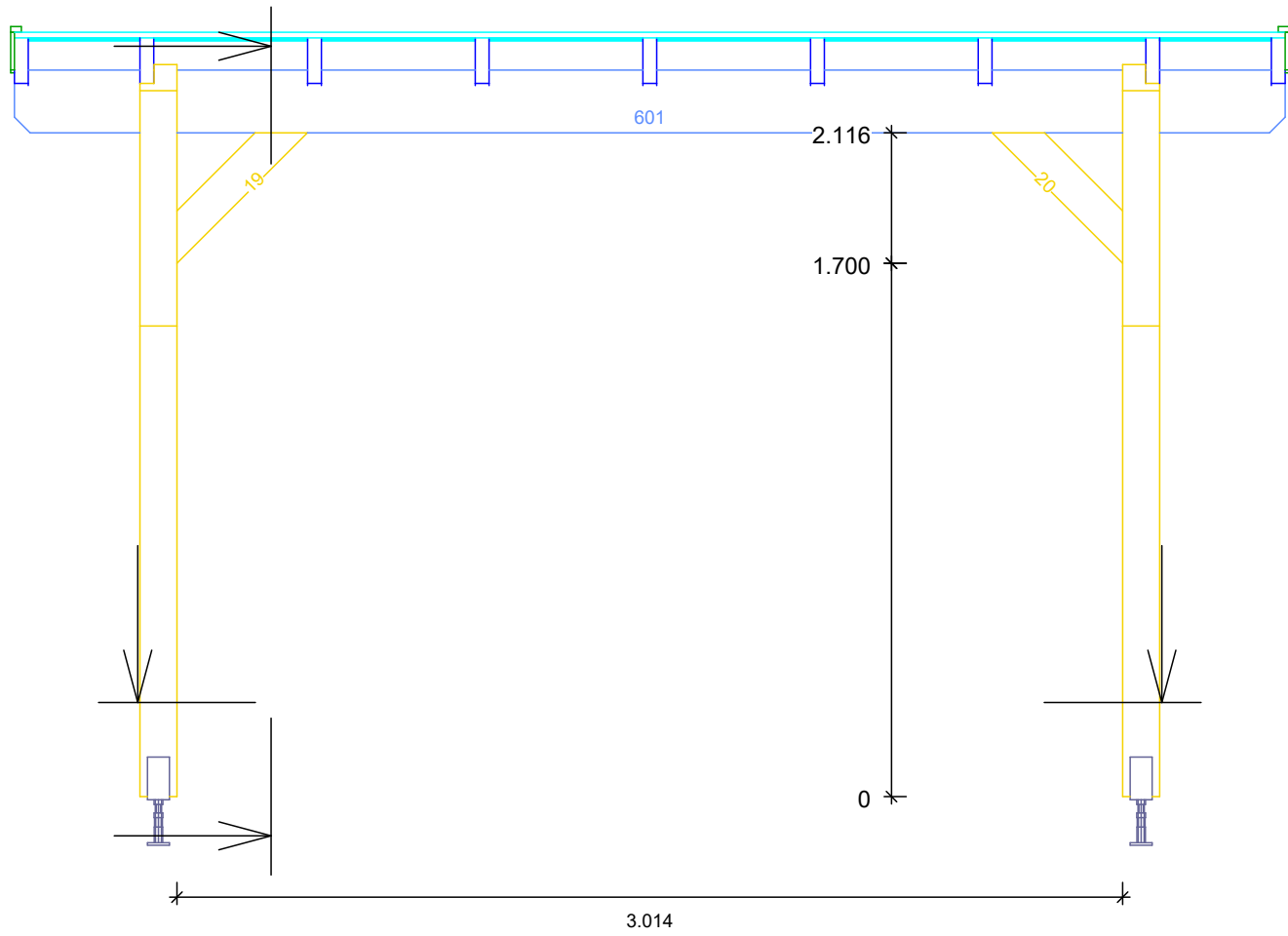
Project nr: VS00_0069
Date: 16.07.2024



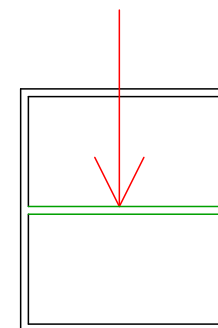
GF 0 Wall 4	
Group :	0
Sorting number	
Scale:	1 : 24



Project nr: VS00_0069
 Date: 16.07.2024



GF 0 Wall 5	
Group :	0
Sorting number	
Scale:	1 : 23.5



Project nr: VS00_0069
Date: 16.07.2024